

WINNING PARTNERSHIP
FOR OVER 20 YEARS

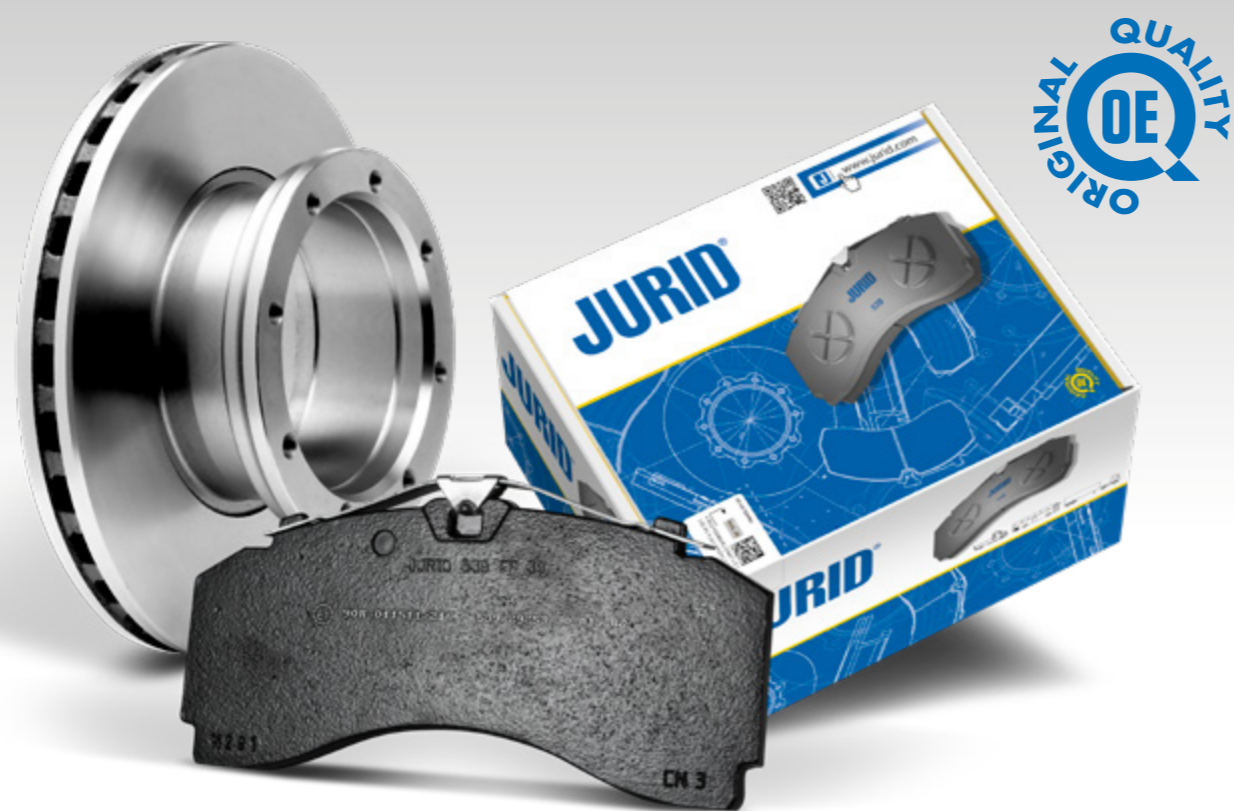


1997 - 2004 - 2009 - 2012 - 2020

JURID[®]
QUALITY IS IN THE DETAILS



THE CHOICE OF THE WINNER



Jurid[®] is a registered trademark of Tenneco Inc. or one or more of its subsidiaries in one or more countries.

PRMJU2007-EN

Jurid[®] is a registered trademark of Tenneco Inc. or one or more of its subsidiaries in one or more countries.



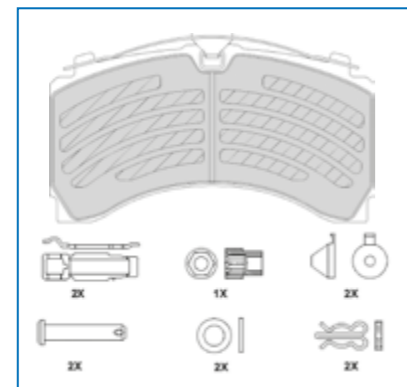
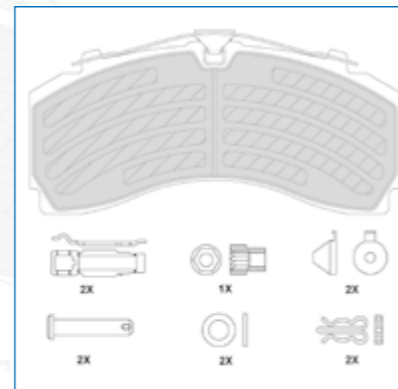
The Mercedes-Benz Actros JURID® brake pads have been developed by our R&D team based upon ProTec S technology by Knorr-Bremse. Innovative friction materials were specially designed to meet different OE requirements of the Actros front and rear axles.

- Improved performance & service life
- Reduced noise levels
- New coating assuring consistently high friction values from the very first time brakes are used
- Special attention to prevention of disc cracking



FRONT AXLE

Part Number:	2924605390
Caliper:	Knorr SM7
Friction Material:	MB 7111-0
Description:	4 x disc pads (2 handed pairs) plus fitting kit
WVA:	29246 inner pads / 29247 outer pads
Dimensions:	244.6 x 113.7 x 35mm inner pads / 244.6 x 113.7 x 30mm outer pads



REAR AXLE

Part Number:	2924405390
Caliper:	Knorr SL7
Friction Material:	MB 7211-0
Description:	4 x disc pads (2 handed pairs) plus fitting kit
WVA:	29244 inner pads / 29245 outer pads
Dimensions:	207.6 x 113.7 x 35mm inner pads / 207.6 x 113.7 x 30mm outer pads

Our JURID® Brake Pads have been chosen by the **Mercedes-Benz Actros, truck of the year 2020**, to provide the optimal balance between braking performance & durability.

